



**SALVATORE
ROBUSCHI
POMPE PARMA**

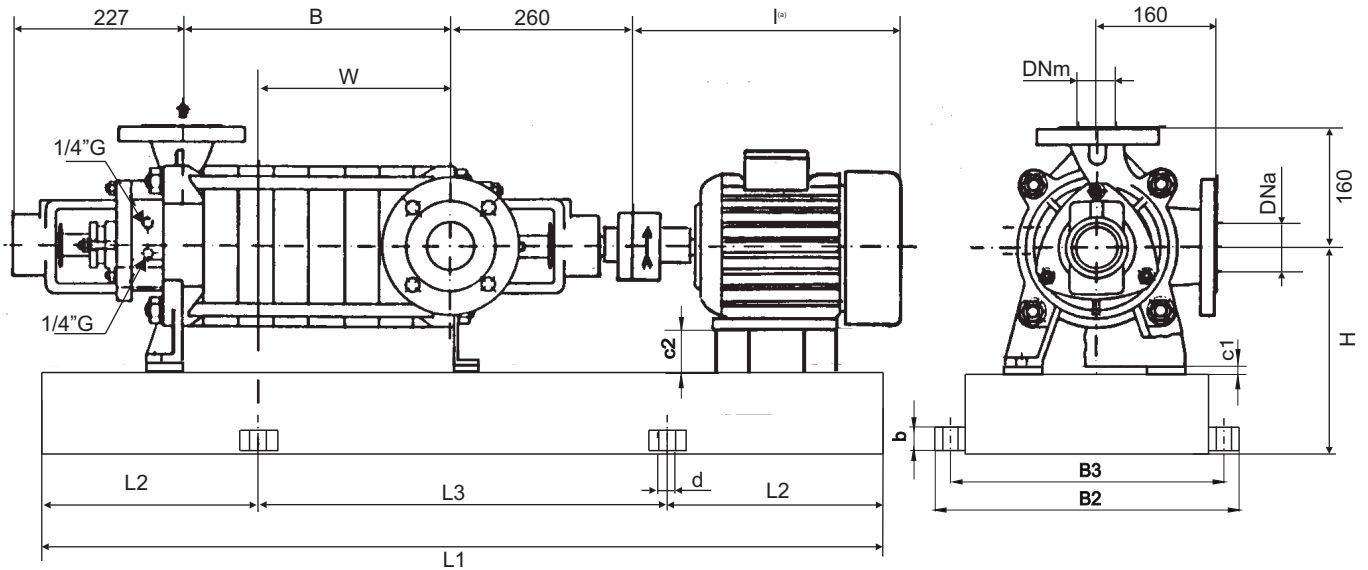
**INGOMBRI SU BASE
CON GIUNTO STANDARD**

**OVERALL DIMENSIONS ON BASE
WITH STANDARD COPULING**

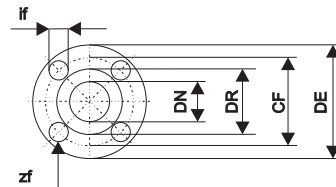
**TSKB 40
TSKB 50**

N: T-1277

DATA: 17.10.2011



MOTORE ELETTRICO - ELECTRIC MOTOR			
Grandezza Size IEC	Potenza in [kW] Power in [kW]	L ^(a) [mm]	Peso Weight ^(a) [kg]
	2 Poli 2 Poles		
80	0.75	232	9
80	1.1	232	10
90S	1.5	270	13
90L	2.2	270	16
100L	3	298	21
112M	4	312	30
132S	5.5	381	40
132S	7.5	381	50
132M	9.2	381	50
160M	11	486	76
160M	15	486	85
160L	18.5	486	95
180M	22	576	130
200L	30	613	148
200L	37	613	160
225M	45	690	207



FLANGIA ASP. (PN 16 EN 1092-2) SUCTION FLANGE						FLANGIA PREM. (PN 40 EN 1092-2) DISCHARGE FLANGE					
DNa	DE	CF	DR	Fori - Holes		DNm	DE	CF	DR	Fori - Holes	
				zf	if					zf	if
65	185	145	120	4	18	50	165	125	104	4	18

Tipo-Type	Grandezza Size	Bas. N°	DIMENSIONI - DIMENSIONS														Peso ^(a) Weight kg
			Pompa - Pump														
			DNa	DNm	L1	L2	L3	B3	B2	d	b	W	B	H	c1	c2	
40-4 50-4	160M	2	65	50	1200	205	790	400	440	19	30	205	217	280	0	0	202
	160L	2	65	50	1200	205	790	400	440	19	30	205	217	280	0	0	222
40-5 50-5	160M	2	65	50	1200	205	790	400	440	19	30	205	263	280	0	0	219
	160L	2	65	50	1200	205	790	400	440	19	30	205	263	280	0	0	229
	180L	4	65	50	1500	245	1010	420	460	19	30	395	263	300	20	0	260
40-6 50-6	160M	2	65	50	1200	205	790	400	440	19	30	205	309	280	0	0	225
	160L	2	65	50	1200	205	790	400	440	19	30	205	309	280	0	0	235
	180L	4	65	50	1500	245	1010	420	460	19	30	395	309	300	20	0	270
	200L	4	65	50	1500	245	1010	420	460	19	30	395	309	320	40	0	320
40-7 50-7	160M	2	65	50	1200	205	790	400	440	19	30	205	355	280	0	0	235
	160L	2	65	50	1200	205	790	400	440	19	30	205	355	280	0	0	242
	180L	4	65	50	1500	245	1010	420	460	19	30	395	355	300	20	0	272
50-8	200L	4	65	50	1500	245	1010	420	460	19	30	395	355	320	40	0	360
	40-8	200L	4	65	1500	245	1010	420	460	19	30	395	401	300	40	0	340
40-9 50-9	200L	4	65	50	1500	245	1010	420	460	19	30	395	447	320	40	0	380
40-10 50-10	200L	4	65	50	1500	245	1010	420	460	19	30	395	493	320	40	0	390
50-10	225M	6	65	50	1300	215	870	510	460	24	30	395	493	390	90	0	430

Quote e pesi suscettibili di variazione.
Dimensions and weights are subject to variations.

^(a)Quota indicativa può variare in funzione della marca del motore
Not binding dimension that can change according to motor brand